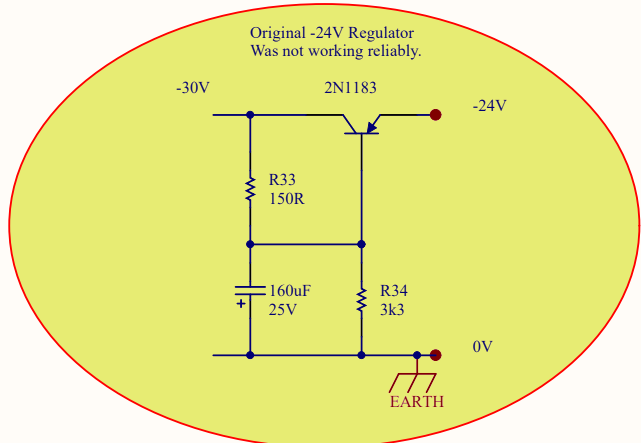


No load 2mV wideband noise

OUTPUT LOAD TEST

No Load	-23.98V
270mA	-23.36V

Load resistor included to ensure down stream supply bypass capacitors don't go over voltage rating when modules are not in-circuit.



AWA manufactured the BAC-1.
This schematic is based upon
circuits in BAC-1 Consolette
Type 2G61226, S/N 71.



Title BAC-1 PSU		
Size: A4	Number: SS010116	Revision:
Date: 7/04/2018	Time: 3:46:10 PM	Sheet 1 of 1
File: C:\Users\peter\Documents\Projects\AWA_BAC-1_Restoration\AWA_2G61226_SN_71\Schematics\BAC-1_PSU.SchDoc		

O'Neill Associates
13 Belvidere Road
Saddleworth
S4 5413
Australia



